



Built to Deliver – Every Time

ILT- TWIN FOLD

3500 and 4000 LBS. CAPACITY



—OPTIMIZED—
FLEXIBILITY
DURABILITY
PROFITABILITY

ILT - Heavy Duty Twin Cylinder liftgate up to 4000 Lbs with simple electrical and mechanical platform leveling.

Heavy duty construction with slide in power pack and standard three piece rear impact guard. Improved triple torsion springs together with 3-D CAD optimized construction provides a user-friendly folding lift with a large 63" x 86" platform at a low weight.

Easy Operation

- ◆ Clampable, adjustable roller for folding assist
- ◆ Ease of operation provided by torsion springs and standard platform tip assist
- ◆ Marine grade molded toggle switch operation

Built in Safety Features

- ◆ 2 cylinder stability
- ◆ Cab shut off switch
- ◆ Hydraulic cylinder locks on cylinder ports

Large Level Ride Platform

- ◆ 63" x 86" steel - aluminum standard design
- ◆ Flush mounted hinges for pallet and cart friendly operation.
- ◆ Level Ride platform with heavy duty ground rollers

Thermo Protected Power Pack Inside Mount Frame:

- ◆ Decreases maintenance cost
- ◆ Increases life of components
- ◆ Delivered with multi-temp hydraulic fluid from factory

Wide Lift Arm

- ◆ Provides added stability
- ◆ Can accept a fixed hitch

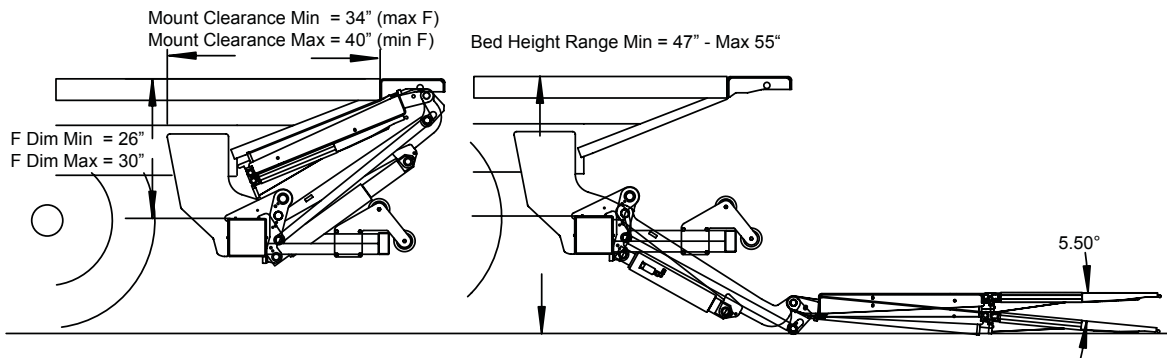
Heavy-Duty Construction

- ◆ Bushings & zerks at all pivot points
- ◆ High quality components
- ◆ Heat treated pins
- ◆ Fixed 3 piece rear impact guard

- ◆ The INTERLIFT ILT series incorporates the well protected , pre-mounted power pack and heavy duty mount frame from our larger series of gates with the simplicity of a Two Cylinder mechanical leveling operation.
- ◆ INTERLIFT liftgates are built with over-sized components for great reliability. Our standard hydraulic cylinder locks provide added stability, better user control, and improve operator safety.
- ◆ The twin cylinder design can accommodate a fixed receiver hitch. The platform rotates on a clamped adjustable roller for fast installations to adapt for easier operation on different bed heights.



- ◆ The thermo-protected power pack is fully enclosed in the mount tube for protection and slides out for fast inspection. By using oversized and thermo-protected quality components we minimize our customer's maintenance and down time.
- ◆ The molded toggle switch with standard cab shut-off switch provides a simple and user-friendly operation.
- ◆ Oversized heavy duty platform ground rollers protects your equipment as well as your customers parking lot.



STANDARD FEATURES:

- ◆ Level Ride
- ◆ Pre mounted, Enclosed Power Pack inside Mountframe
- ◆ 150 AMP Circuit Breaker
- ◆ Cab Shut-off Switch
- ◆ Torsion assisted aluminum tip section
- ◆ Bushings at All Pivot Points
- ◆ Hydraulic Cylinder Locks
- ◆ 3 Piece Rear Impact Guard
- ◆ Ground Rollers on Platform
- ◆ Adjustable Clamped Roller

LIFTGATE OPTIONS:

- ◆ Hand Held Remote
- ◆ Auxiliary Truck and Trailer Kits
- ◆ Dock Bumpers
- ◆ Rubber Pads
- ◆ Carts Stops
- ◆ Extra Heavy Duty Trailer Dock Bumpers
- ◆ "DOT" Rear Impact Guard
- ◆ All Aluminum Platforms Will be available at a later date (please inquire)

Model	Lifting Capacity (Lbs.)	Platform Size Height (Inches)	Platform Width (Inches)	Bed Height (Inches)	Approx. Weight (Lbs)	Mount Clearance
ILT 35	3500	63	86	47" to 55"	1150	35" to 40"
ILT 40	4000	63	86	47" to 55"	1200	35" to 40"