



Built to Deliver - Every Time

ILP Pallet Pro

2500 and 3300 LBS. CAPACITY



—OPTIMIZED—
FLEXIBILITY
DURABILITY
PROFITABILITY

The ILP Pallet Pro adds a lot of value for a small premium. Platforms now available in various sizes up to 60" deep in steel or optional steel/aluminum or in all aluminum on 48" deep platforms.

LARGE Platform Lift! SMALL Platform Price!

Easy Operation

- ◆ Adjustable roller and dual torsion assist offer minimum effort for platform folding

Built in Safety Features

- ◆ Dual cylinder stability
- ◆ Cab shut off switch
- ◆ Hydraulic cylinder locks on cylinder ports

Wide Lift Arm

- ◆ Provides added stability
- ◆ Accepts a fixed hitch

Large Level Ride Platforms

- ◆ 48" x 80" combo wedge design
- ◆ 54", 60" x 80" combo wedge design (ILP 33 only)

Heavy-Duty Construction

- ◆ Bushings & zerks at all pivot points
- ◆ Many aerospace quality components used
- ◆ Heat treated pins

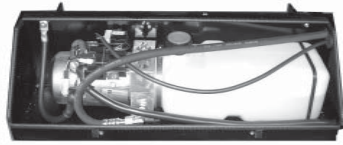
Wide Bed Height Range

- ◆ The 48" platform unit can be installed on as low as 38" laden bed height/up to 53" unladen

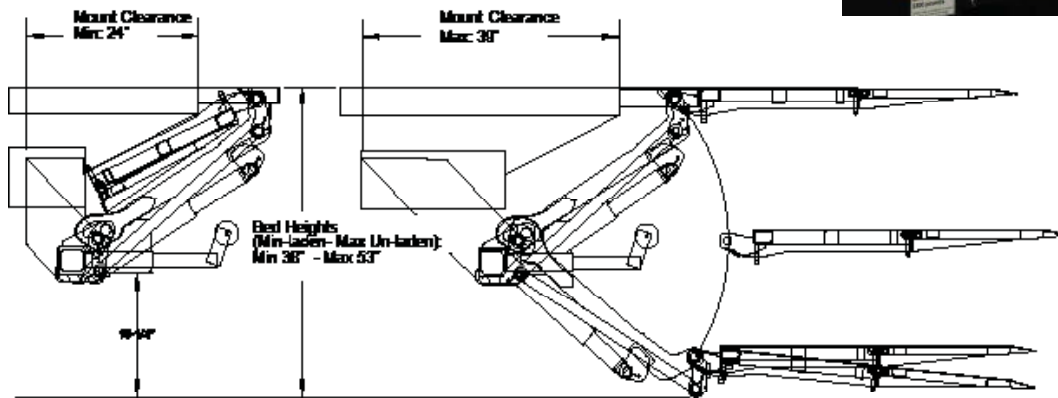
Thermo Protected Power Pack:

- ◆ Decreases maintenance cost
- ◆ Increases life of components
- ◆ Pre-filled with multi temp aerospace hydraulic fluid

- ◆ The INTERLIFT Pallet Pro, offering a platform size, level ride and lift capacity to handle many palletized or carted freight safely at a budget price.
- ◆ INTERLIFT liftgates are built with oversized components for greater reliability. Our standard hydraulic cylinder locks provides added stability, better user control and improved safety.
- ◆ The two cylinder mid arm design can accommodate a fixed receiver hitch. The platform rotates on an adjustable roller to adapt for different bed height installations.



- ◆ The thermo protected power pack is fully enclosed in a H/D powder coated steel box for protection and easy inspection. By using over sized quality components, we minimize our customers maintenance and down time.



The ILP incorporates our double torsions on both the main and folded section for assisted folding help.

The unique leveling joint on the ILP does not rotate on the ground. This makes the ILP an exceptionally smooth operating lift.

STANDARD FEATURES:

- ◆ Level Ride
- ◆ Torsion Assisted Platform Tip
- ◆ Enclosed Power Pack
- ◆ Cab On-Off Switch
- ◆ Bushings At All Pivot Points
- ◆ Hydraulic Cylinder Locks

LIFTGATE OPTIONS:

- ◆ Auxiliary Truck and Trailer Kits
- ◆ Dock Bumpers
- ◆ Rubber Pads
- ◆ Carts Stops
- ◆ Extra Heavy Duty Trailer Dock Bumpers
- ◆ DOT" Rear Impact Guard
- ◆ Hand Held Remote
- ◆ Aluminum Tip Sections
- ◆ All Aluminum Platforms
- ◆ Wire Less Remote
- ◆ 2" Receiver Hitch

Model	Lifting Capacity (Lbs.)	Platform Depth (Inches)	Platform Width (Inches)	Bed Height (Inches)	Approx. Weight (Lbs)	Mount Clearance
ILP 25	2200	48	80	38 to 53	750	21 to 30
ILP 33	3300	48	80	38 to 53	840	21 to 30
ILP 33	3300	54	80	44 to 55	900	25 to 34
ILP 33	3300	60	80	44 to 55	930	25 to 34