

# **MBB** INTERLIFT

**Built to Deliver - Every Time**

## **ILFS Distribution Pro** **3300 and 3800 LBS. CAPACITY**

The ILFS large platform Level Ride folding lift, available in 3 different platform material configurations depending on application and budget



**-OPTIMIZED-**  
**FLEXIBILITY**  
**DURABILITY**  
**PROFITABILITY**

**Standard: Steel** platform sizes up to 60" x 80" or 90"

**Optional: Steel/Aluminum** platform sizes 60" x 80" or 90"

**Optional: Aluminum** platform sizes up to 63" x 86"

### **Wide Lift Arm:**

- ◆ Provides added stability
- ◆ Standard 3 piece rear impact guard
- ◆ Accepts a fixed hitch

### **Heavy Duty Construction:**

- ◆ Bushings and zerks at all pivot points
- ◆ Oversized quality components
- ◆ Thermo protected power pack
- ◆ Heat treated pins

### **Platform:**

- ◆ Combo wedge design
- ◆ Dual torsion assist for easy folding
- ◆ Flush mounted hinges for pallet and cart-friendly operation

### **Built in Safety Features:**

- ◆ Dual cylinder stability
- ◆ Cab shut off switch
- ◆ Hydraulic locks on cylinder ports

**INTERLIFT, Inc.**

15939 Piuma Avenue  
Cerritos, CA 90703

**PALFINGER**  
North America Group

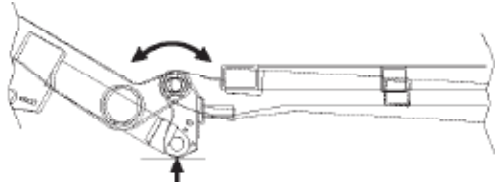
[www.interlift.net](http://www.interlift.net)

Tel (888) 774 5844 (562) 924 8218  
Fax (562) 924 8318

The Interlift ILFS offers several different combinations of material and sizes of platform. This makes it one of the most versatile folding lifts in the industry.



Interlift liftgates are built with oversized components for greater reliability. Our standard hydraulic cylinder locks add more stability, better user control, and improve safety.



The level ride function incorporates our unique leveling joint, which pivots on the upper joint for the ground inclination without dragging on the ground. This makes the ILFS operation exceptionally smooth.



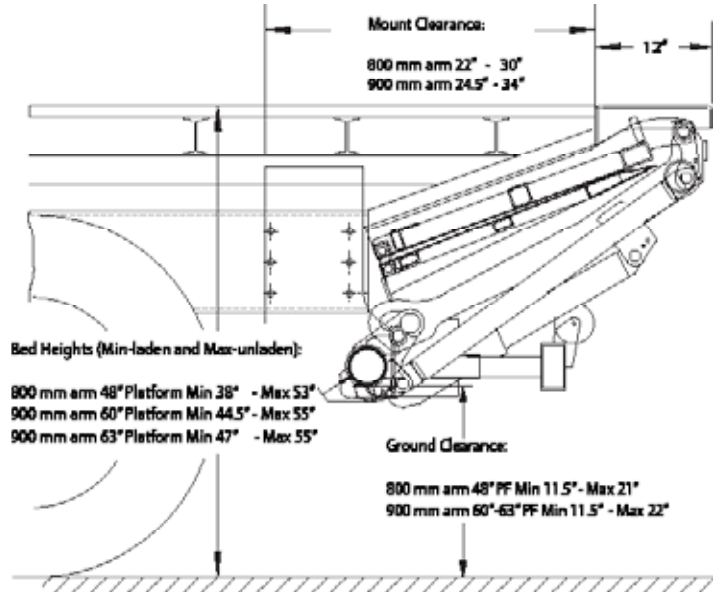
The molded toggle switch together with standard cab shut-off switch are pre-wired and tested before shipment.

For ease and speed of operation, a two-button hand-remote is standard.

The pre-mounted power pack is filled with premium multi temp hydraulic fluid, wired, and fully enclosed in a H/D powder coated steel box for fast installation, protection and easy inspection.



By using oversized and thermo protected components, we minimize our customers' maintenance and down time.



**STANDARD FEATURES:**

- ◆ Level Ride
- ◆ Enclosed Power Pack
- ◆ Cab Shut-Off Switch
- ◆ Hand Held Remote
- ◆ Hydraulic Cylinder Locks
- ◆ Bushings At All Pivot Points
- ◆ Torsion Assisted Platform Fold
- ◆ 3 Piece Rear Impact Guard

**LIFTGATE OPTIONS:**

- ◆ Carts Stops
- ◆ Rubber Pads
- ◆ H/D Dock Bumpers with Dual Steps
- ◆ 102" Bed Extensions
- ◆ Mechanical Power Down Assist
- ◆ Aluminum Tip Section
- ◆ Aluminum Platform 63" x 86"
- ◆ Auxiliary Truck Kit
- ◆ Dual Controls
- ◆ Trailer Charge Kit
- ◆ Extra H/D Trailer Dock
- ◆ Bumpers with Dual Steps
- ◆ "DOT" Rear Impact guard
- ◆ Wireless Remote

Platform Material	Model	Lifting Capacity (Lbs.)	Platform Height (Inches)	Platform Width (Inches)	Bed Height (Inches)	Approx. Weight (Lbs)	Mount Clearance
Steel-Steel or Steel-Alum	ILFS 33	3300	48	80	38 to 53	880	21 to 30
	ILFS 33	3300	60	80, 90	45 to 55	950	24 to 32
	ILFS 38	3800	48	80	38 to 53	920	21 to 30
	ILFS 38	3800	60	80, 90	45 to 55	980	24 to 32
Aluminum	ILFS 33, 38	3300-3800	63	86	47 to 55	950-980	24 to 32

Note: 60" x 80" or 60" x 90" Platform will work with 102" body applications"